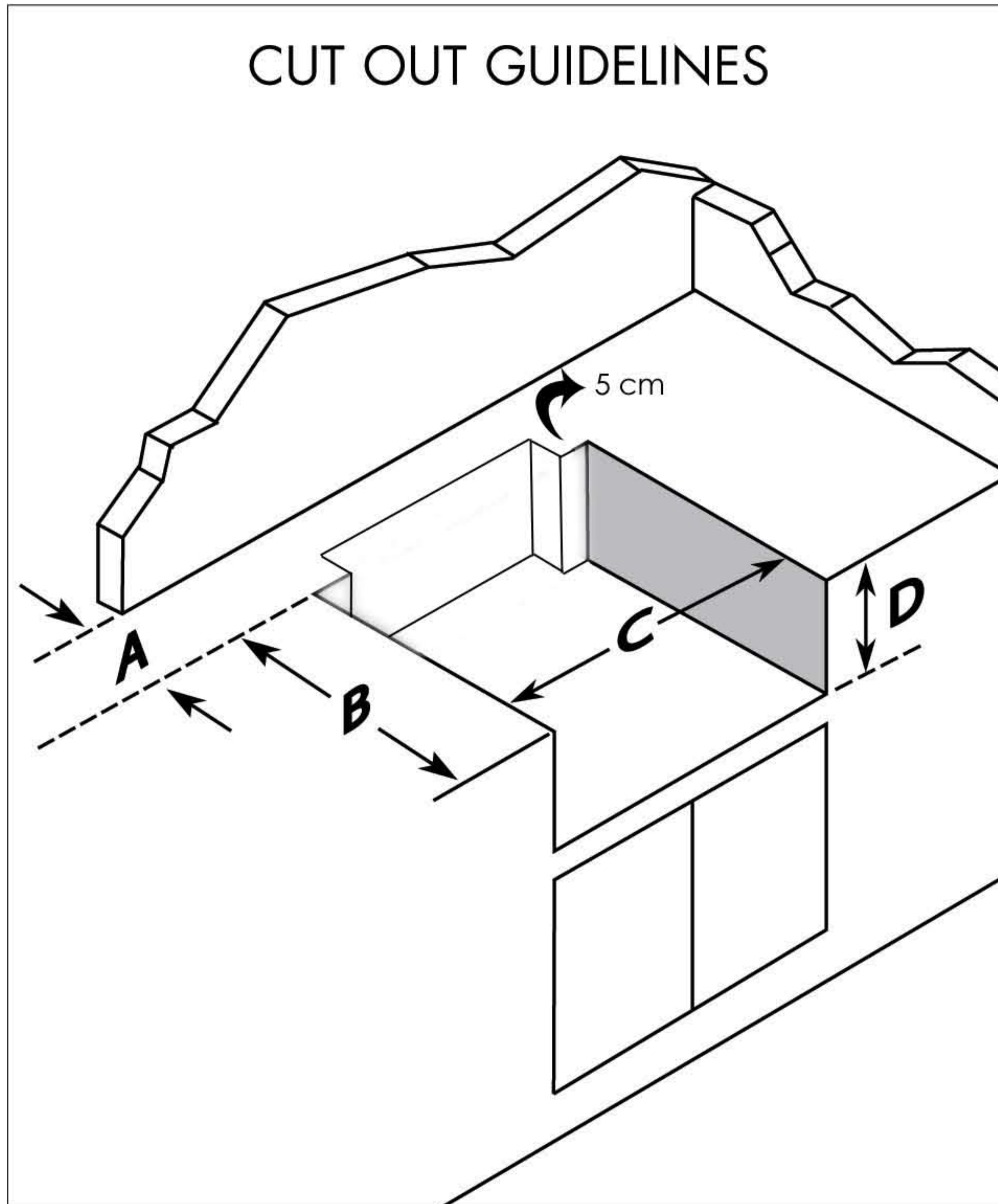


The BARBECUE STORE

Barbeque Specifications



BUILD-INS

Our Grand Turbo, Turbo Select, Turbo Elite, and Turbo Classic barbeques are all specifically designed so you can purchase without a trolley and build into your outdoor décor. These units can also be converted to run on natural gas.

A – Minimum clearance from cutout for hood when opened

B – Cavity depth

C – Cavity width

D – Cavity height

Model	A Hood Clearance Min	B Cavity Depth Min	C Cavity Width Min/Max	D Cavity Height Min
Grand Turbo 6	150	616	982/987	267
Grand Turbo 6 with dual side burners	150	616	1338/1343	267
Turbo Select 6	160	520	990/1000	245
Turbo Elite 3, Classic 3	260	500	625/630	300
<u>Turbo Elite 4, Classic 4</u>	<u>260</u>	<u>500</u>	<u>775/780</u>	<u>300</u>
Turbo Elite 5, Classic 5	260	500	975/980	300

All dimensions are in millimetres.

Note: The cut out guidelines do not include manufacturer specified safety clearances to prevent fire damage. For safety clearances see the manufacturer's instruction booklet. Specifications may change. Always refer to the details with the actual product BEFORE committing to any design or construction expense.